

A-dec® Surgical Light



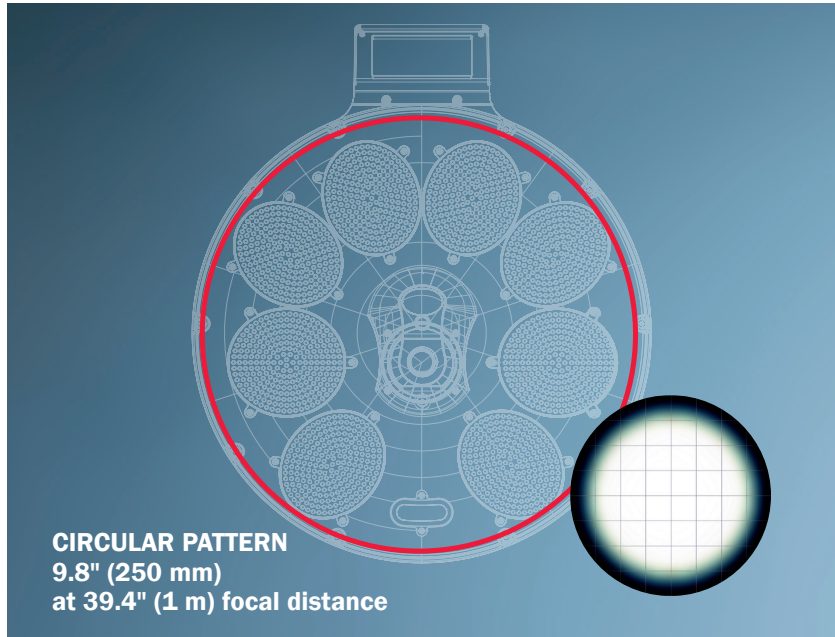


One light, two modes, complete illumination.

Designed to reduce eyestrain and improve efficiency, the A-dec® surgical light is a high-performance LED solution that delivers exceptional illumination for every situation—from general dentistry to advanced surgical procedures. That means you can seamlessly switch between standard operator and bright, neutral surgical lighting using one integrated system, and illuminate every detail with precision.

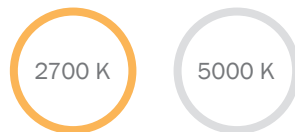
- **DUAL-MODE PERFORMANCE** Effortlessly transition between dental and surgical lighting.
- **BRILLIANT ILLUMINATION** Up to 50,000 lux for standard mode and 110,000 lux for surgical mode.
- **SUPERIOR SHADOW CONTROL** Larger light head creates a “stadium” effect that minimizes shadows for uninterrupted focus.
- **TRUE COLOR ACCURACY** With a Color Rendering Index (CRI) of 98 out of 100 in both standard and surgical modes, every procedure is assured true and accurate color representation.
- **OPTIMIZED LIGHT PATTERNS** Mode-specific patterns—elliptical for dental, circular for surgical—ensure precision where you need it most.

It's a brilliant solution for any treatment.

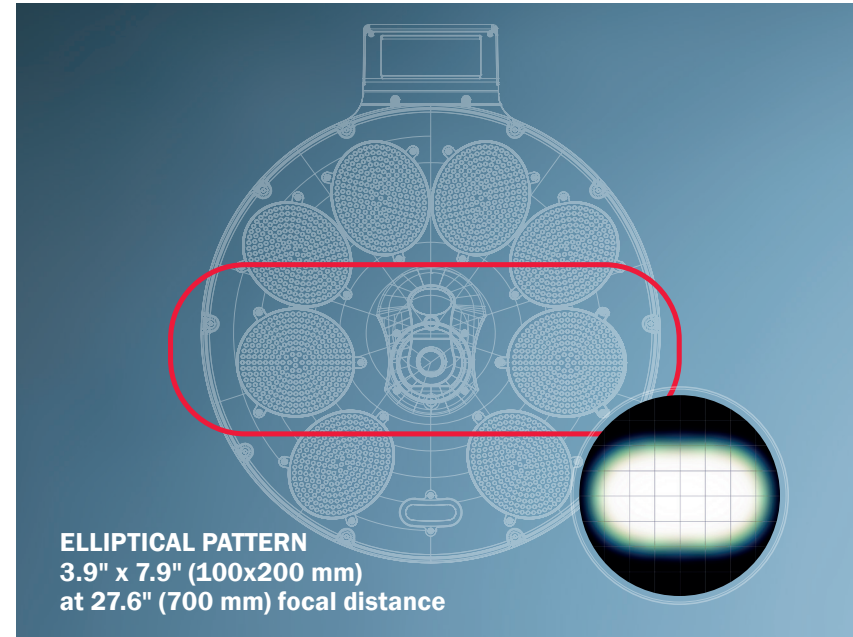


Surgical Setting

- Fixed color temperature and composite setting at 2700 K.

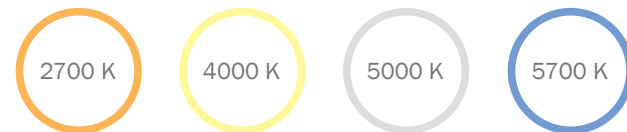


- Variable LED intensity from 12,000 to 110,000 lux at a 1 m distance, with higher output available at closer distances.



Standard Setting

- Three selectable color temperatures with composite setting at 2700 K.



- Variable LED intensity from 6,000 to 50,000 lux at a 700 mm distance.



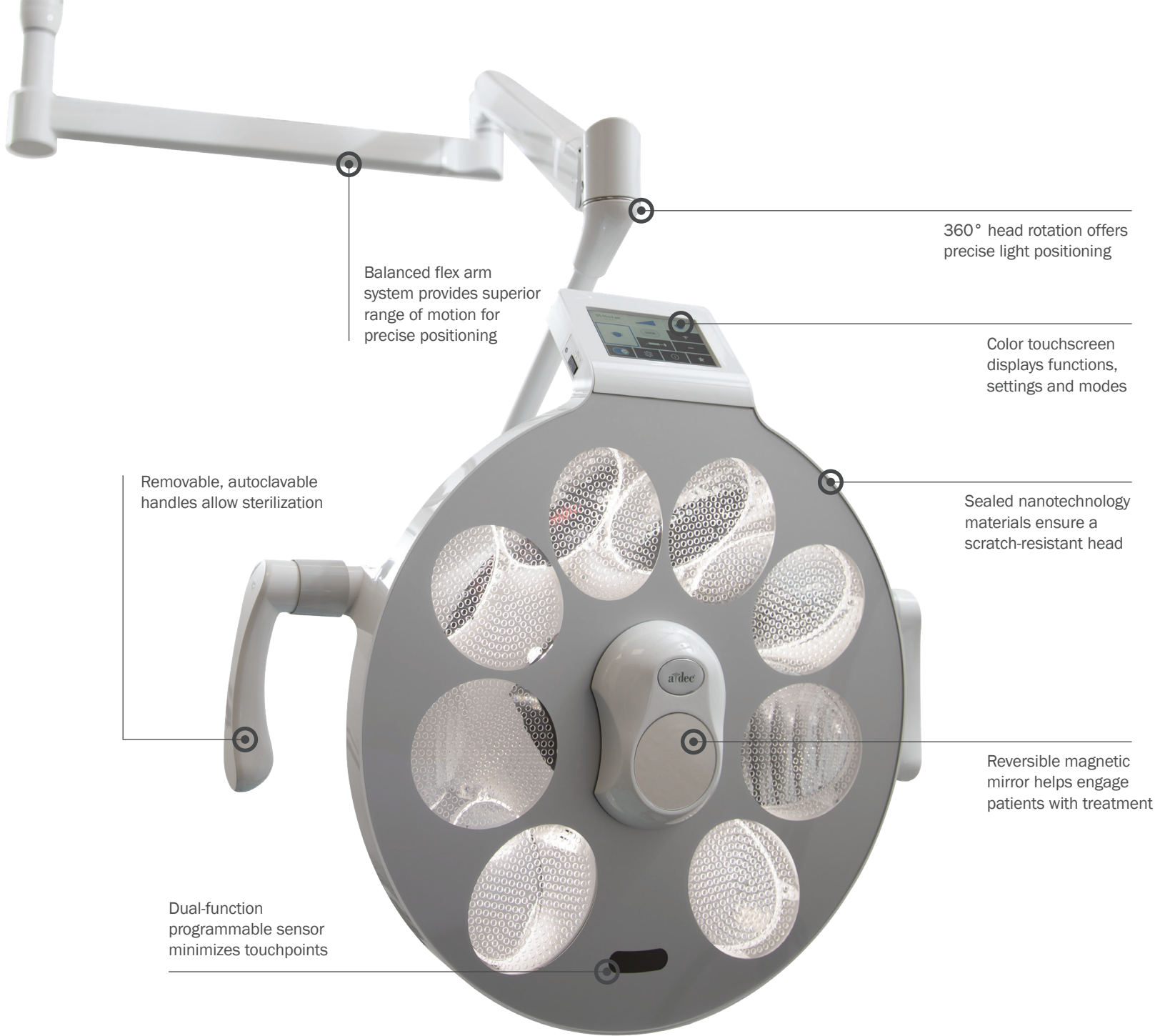
Efficiency you (and the whole team) will appreciate.

A smart operatory leads to greater efficiency, and the A-dec surgical light makes it simple. Whether controlling the light from the built-in 4.3" color touchscreen or touchless sensor, you can save up to six group presets in both standard and surgical modes to quickly recall your favorite settings. Adding the compatible A-dec DS7 touchscreen takes integration to a whole new level.

Powered by A-dec+ technology, the DS7 touchscreen consolidates control of your devices into one place. Further streamline workflow by saving up to four profile-specific light presets that automatically sync across operatories, and your preferred setup is ready the moment you sit down—in any room. It's seamless performance when you need it most.



DS7 Touchscreen



Balanced flex arm system provides superior range of motion for precise positioning

360° head rotation offers precise light positioning

Color touchscreen displays functions, settings and modes

Removable, autoclavable handles allow sterilization

Sealed nanotechnology materials ensure a scratch-resistant head

Reversible magnetic mirror helps engage patients with treatment

Dual-function programmable sensor minimizes touchpoints

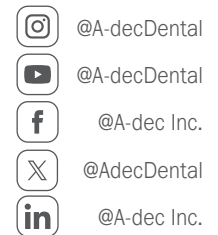


Specifications

	SURGICAL	STANDARD
Color temperature (K)	5,000 K	Selectable: 4,000 K / 5,000 K / 5,700 K
Light pattern	Circular 9.8" at 39.4" focal distance (250 mm at 1 m)	Elliptical 3.9" x 7.9" at 27.6" focal distance (100 mm x 200 mm at 700 mm)
Light intensity (lux)	Variable: 12,000 - 110,000 lux	Variable: 6,000 - 50,000 lux
Composite setting	2700K at 11,000 lux	2700K at 11,000 lux
Power consumption	40W	25W
BTUs per hour	184	
Color Rendering Index (CRI)	98	
External diameter of the head	17.5" (445 mm)	
Rotational Axes	3 axes (horizontal, vertical, and diagonal)	
Color touch display	Yes	
Dual-function programmable sensor	Yes	
Clean mode	30 sec. lockout for sensor and touch display	
Mounting application	Ceiling Mount (A-dec S76)	
Light weight	Ceiling-mounted light 55 lbs. (25 kg)	

Reliable Creative Solutions

FOR DENTAL PROFESSIONALS WORLDWIDE



MORE THAN A WARRANTY. IT'S A COMMITMENT.

At A-dec, our focus is on making dentistry better—which includes superior customer service along with superior dental products. Your A-dec operatory equipment is backed by a 5-year warranty, and a lifetime of customer support. We'll be here today, tomorrow, and well into the future. That's our commitment to you.

For complete details, including exclusions, visit: a-dec.com/legal/warranty

Any colors and products shown may vary and are subject to change without notice. Contact your authorized A-dec dealer for the most current product information. All trademarks in this document are subject to the trademark rights of A-dec, its affiliates, and their collective suppliers in the United States and foreign countries.

©2026 A-dec Inc. All rights reserved. 85.1101.00/PP/1.5M/2-26/Rev A

A-dec Headquarters

2601 Crestview Drive
Newberg, Oregon 97132 USA

P: 1.800.547.1883 within USA/CAN

P: +1.503.538.7478 outside USA/CAN

a-dec.com

Other Locations

A-dec Nashville Experience Center

A-dec Australia

A-dec United Kingdom

